


PRODUCT SHEET

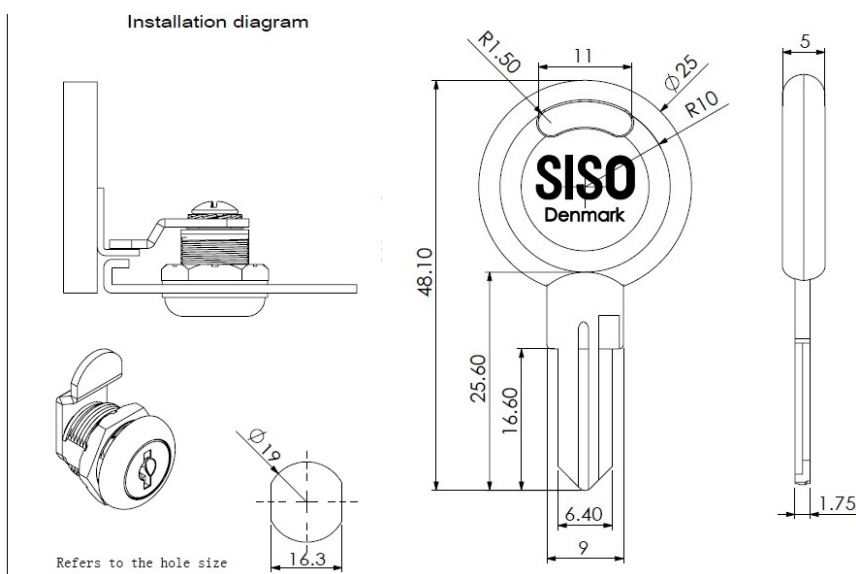
Description:

Cam Lock 1916, 90DG, SS Cap+Core, Cam A51, Box Packing, CK SISO, Cranked 5mm, W/2
Transparent PVC Washers,, 480 Small Boxes Pr. Export Carton, 480 Different Key Codes, pr. Carton

Item number:

14.04.471-0

Units	Box	Carton	HS Code	Barcode
Pcs.	12	240	8301300000	
				5704866041683



SISO A/S

Mileparken 11
DK-2740 Skovlunde
Denmark
VAT: DK 24786013

Phone +45 45 830 900

www.siso.dk
siso@siso.dk

Danske Bank
Nytorv Branch
Copenhagen
SWIFT: DABADKKK

Account no.
4180 3112 112936
IBAN Account
DK7230003112112936